



Constant Current Driver

Model:SC84W300-1050CG-4



Model	CH1 /CH2 Current		Input Current	Input Power	Output Power Range	PF	Efficiency	CH1/CH2 Voltage		No load Voltage
SC84W300-1050CG-4	300mA	300mA	0.18A	30.8W	6.00-25.20W	0.86	82%	10-42V	10-42V	55V
	350mA	350mA	0.20A	35.8W	7.00-29.40W	0.87	82%	10-42V	10-42V	55V
	400mA	400mA	0.24A	41W	8.00-33.60W	0.88	82%	10-42V	10-42V	55V
	450mA	450mA	0.26A	45.6W	9.00-37.80W	0.89	83%	10-42V	10-42V	55V
	500mA	500mA	0.28A	50.6W	10.00-42.00W	0.90	83%	10-42V	10-42V	55V
	550mA	550mA	0.30A	55.6W	11.00-46.20W	0.91	83%	10-42V	10-42V	55V
	600mA	600mA	0.32A	60.8W	12.00-50.40W	0.92	83%	10-42V	10-42V	55V
	650mA	650mA	0.34A	65W	13.00-54.60W	0.93	84%	10-42V	10-42V	55V
	700mA	700mA	0.36A	70W	14.00-58.80W	0.94	84%	10-42V	10-42V	55V
	750mA	750mA	0.38A	75W	15.00-63.00W	0.94	84%	10-42V	10-42V	55V
	800mA	800mA	0.42A	80W	16.00-68.20W	0.95	84%	10-42V	10-42V	55V
	850mA	850mA	0.44A	84W	17.00-68.00W	0.95	85%	10-40V	10-40V	55V
	900mA	900mA	0.46A	84.8W	18.00-72.00W	0.96	85%	10-40V	10-40V	55V
	950mA	950mA	0.46A	89.4W	19.00-76.00W	0.96	85%	10-40V	10-40V	55V
	1000mA	1000mA	0.48A	93W	20.00-80.00W	0.97	86%	10-40V	10-40V	55V
1050mA	1050mA	0.48A	97.6W	21.00-84.00W	0.97	86%	10-40V	10-40V	55V	

* Test result @230V, 50Hz, Full Load.

1. Parameters

category	Item	Technical Norm
Features	Output Type	Constant Current
	Output Features	Isolation
	IP Grade	IP20
	Insulation Class	Class II
Input	Rated Input Voltage	220-240VAC
	Range of Input Voltage	176-264VAC or 176-280VDC
	Frequency	50/60Hz

	Input Current	≤0.48A (230VAC, full load)
	Input Power	≤97.6W (230VAC, full load)
	Power Factor	≥0.95 (230VAC, full load)
	THD	≤20% (230VAC, full load)
	No-load Power Consumption	≤0.5W @230VAC
	Inrush Current	≤18A/2.8us (230VAC, full load)
	Connected quantity of 10A Breaker Connected quantity of 16A Breaker Connected quantity of 20A Breaker	11pcs/type A ;17pcs/type B ;28pcs/type C@ 230Vac 18pcs/type A;27pcs/type B ;44pcs/type C@ 230Vac 22pcs/type A;33pcs/type B ;55pcs/type C@ 230Vac
Output	Output Voltage Range	10-42VDC@300-800mA (CH1/CH2) 10-40VDC@850-1050mA (CH1/CH2)
	No Load Voltage	55VDC Max.
	Output Current (CH1/CH2)	300mA -1050mA (Max. output)
	Max. Output Power (CH1/CH2)	84W
	Efficiency	≥86% (230VAC, full load)
	Current Ripple(< 120 Hz)	±5% (Imax-Imin)/(Imax+Imin)
	PstLM	≤1
	SVM	≤0.4
	Current Accuracy	±5%
Protection	Started Delay Time	≤0.5S (230VAC, full load)
	Short Circuit Protection	Auto Recovery
	Overload Protection	Auto Recovery
	No-load Protection	Auto Recovery
	Insulation voltage	3000V 5mA 60S between P-S
	Insulation resistance	>100M ohm @ 500VDC
Environment	Leakage current	< 250μA, I/P to O/P or I/P to PE @230V input
	Ta/Operation Temperature	-20....+35°C
	Ts/Storage Temperature	-40....+85°C
	Tc/Enclosure Temperature	85°C
	Humidity	10%....90%RH
Construction	Atmospheric pressure	86-108KPa
	Connection Method	Push-in Terminal
	Installation	Independent
	SEC Wire preparation	0.5-1.5 [□]
Standards	Dimension	312 x 31 x 45mm (L*W*H)
	Certification	complied to CE
	Safety Standards	EN61347-1:2015,EN61347-2-13:2014/A1:2017,EN62493:2015
	EMC Standards	EN55015:2013/A1:2015,EN61000-3-2:2014, EN61000-3-3:2013,EN61547:2009
	Performance	EN62384
	Surge	L-N/2KV

Others	RoHS	complied to 2011/65/EU
	Life Time	50000h @Ta/ Tc
	Warranty	5years , F.R. < 10000ppm

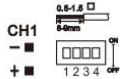
Remark:

- 1.All Parameters, if not specified, are measured at 230VAC/50Hz and 25°C ambient temperature.
- 2.LED Driver is a component of the luminaires, Luminaires and wire layout will affect the EMC, please check the EMC with end products again.

2. Output Current Setting

(CH1/CH2) Output Current	1	2	3	4
300mA	-	-	-	-
350mA	-	-	-	ON
400mA	-	-	ON	-
450mA	-	-	ON	ON
500mA	-	ON	-	-
550mA	-	ON	-	ON
600mA	-	ON	ON	-
650mA	-	ON	ON	ON
700mA	ON	-	-	-
750mA	ON	-	-	ON
800mA	ON	-	ON	-
850mA	ON	-	ON	ON
900mA	ON	ON	-	-
950mA	ON	ON	-	ON
1000mA	ON	ON	ON	-
1050mA	ON	ON	ON	ON

3. Label



CH1
- +
1 2 3 4

KGP
KGP Electronics GmbH
Hueckstraße 19
DE-58511 Lüdenscheid


SC84W300-1050CG-4

LED POWER SUPPLY
Constant Current Lighting track adaptors
ta:35°C tc:85°C

PRI:220-240VAC 50/60Hz Max.0.48A
CH1:300-800mA 10-42VDC
850-1050mA 10-40VDC
NO Load:55VDC Max.42W Fmax.50N+
CH2:300-800mA 10-42VDC
850-1050mA 10-40VDC
NO Load:55VDC Max.42W Fmax.50N+
For LED modules only

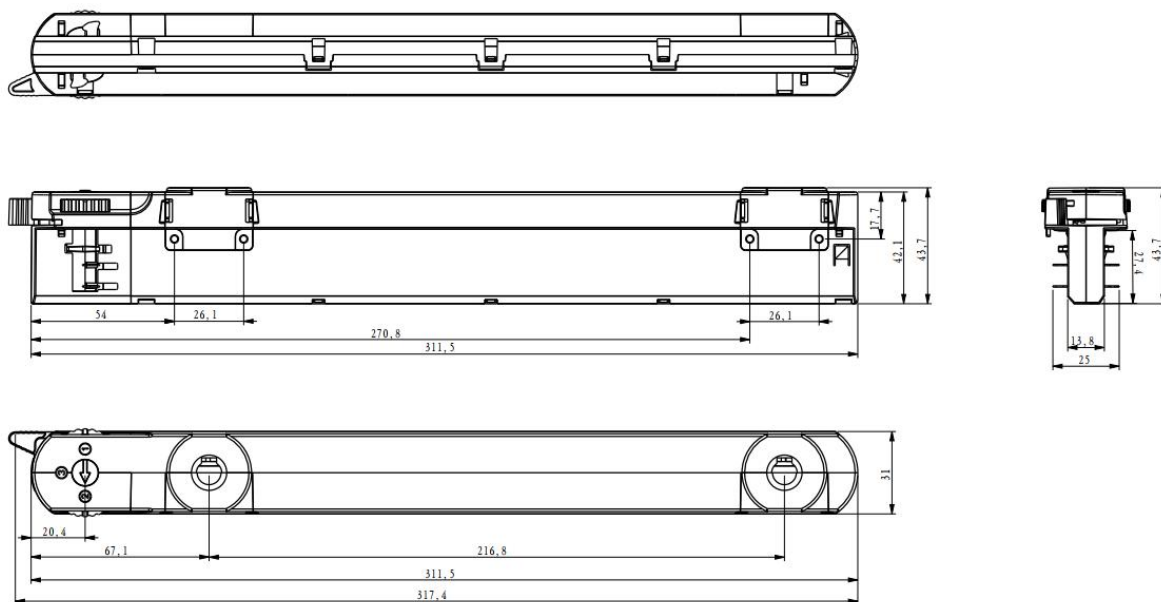
Prst	Inst	λ	1	2	3	4	Prst	Inst	λ	1	2	3	4	Prst	Inst	λ	1	2	3	4	Prst	Inst	λ	1	2	3	4
12.6	300	0.88C	-	-	-	-	29.4	700	0.84C	ON	-	-	-	12.6	300	0.88C	-	-	-	-	29.4	700	0.84C	ON	-	-	-
14.7	350	0.91C	-	-	-	-	31.5	750	0.86C	ON	-	-	ON	14.7	350	0.91C	-	-	-	-	31.5	750	0.86C	ON	-	-	ON
16.8	400	0.88C	-	-	-	ON	33.8	800	0.88C	ON	-	ON	ON	16.8	400	0.88C	-	-	ON	ON	33.8	800	0.88C	ON	-	ON	ON
18.9	450	0.88C	-	-	-	ON	36	850	0.88C	ON	-	ON	ON	18.9	450	0.88C	-	-	ON	ON	36	850	0.88C	ON	-	ON	ON
21	500	0.95C	-	-	-	ON	38	900	0.88C	ON	-	ON	ON	21	500	0.95C	-	-	ON	ON	38	900	0.88C	ON	-	ON	ON
23.1	550	0.91C	-	-	-	ON	40	950	0.88C	ON	-	ON	ON	23.1	550	0.91C	-	-	ON	ON	40	950	0.88C	ON	-	ON	ON
25.2	600	0.88C	-	-	-	ON	42	1000	0.87C	ON	-	ON	ON	25.2	600	0.88C	-	-	ON	ON	42	1000	0.87C	ON	-	ON	ON
27.3	650	0.88C	-	-	-	ON	45	1050	0.87C	ON	-	ON	ON	27.3	650	0.88C	-	-	ON	ON	45	1050	0.87C	ON	-	ON	ON

etec SELV CE

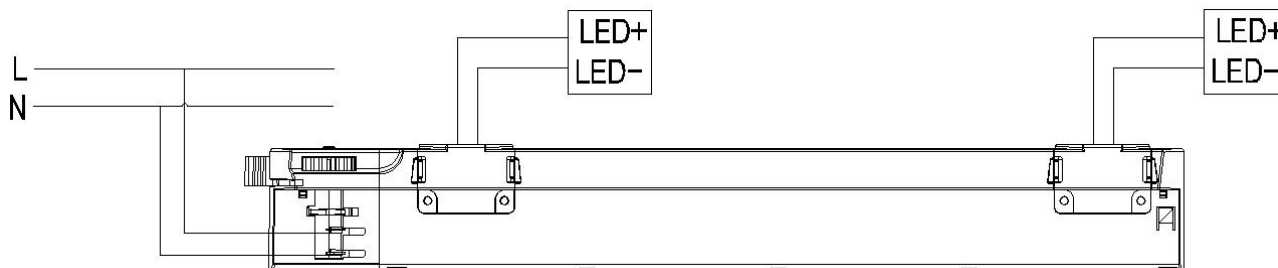


CH2
- +
1 2 3 4

4. Dimension



5. Wiring Diagram



6. Packing information

Packing way	Model	Article number	Colour	Carton L*W*H(mm)	Pcs/ Carton	Net weight/ Pcs(kg)	Net weight/ Carton(kg)	Gross weight/ Carton(kg)
industrial	SC84W300-10 50CG-4W	121601W	White	515*274*370	T.H.D	T.H.D	T.H.D	T.H.D
	SC82W300-10 50CG-4B	121601B	Black					
	SC84W300-10 50CG-4G	121601G	Grey					